



# EINS - 2RD

## 2 Reader IP Controller



EINS - IP Controller is a premier true IP System best suitable for today's security needs in the emerging industry vertical. Its simplicity and intuitive features combine together makes EINS an advance and powerful - yet easy to use - integrated security management system.

It is an intelligent, true IP controller designed to integrate various event management applications on one controller, providing ease of installation and interoperability among vital applications.

It includes industry-standard 4MB Flash Memory for high speed data processing as well as 10/100 Mbps on board TCP/IP for network & serial communication ports. The controller built on 32 Bit Platform supporting up to 2 Wiegand Readers & can control 2 Door in IN / IN Mode or 1 Door in IN / Out Mode with 2 inputs & 2 output relays for door control.

### ENCLOSURE OPTIONS



**EPS-1000**

It includes UL Listed Power Supply & Accessories that can accommodate & connect EINS Controller including Input & Output Modules.



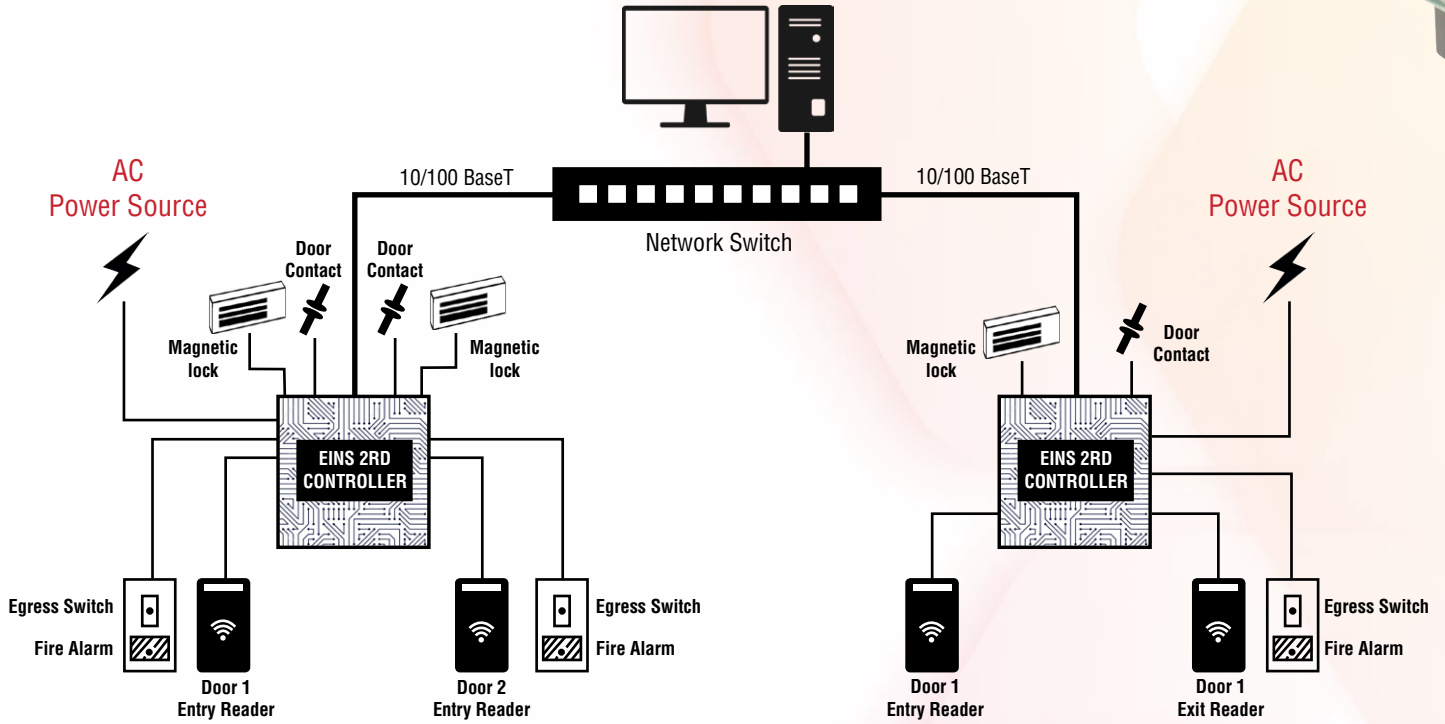
**EPBT-1000  
(with Battery Charger)**

It includes UL Listed Power Supply with Battery Charger & Accessories. EINS enclosure feature ample knockouts that are suitable for managing wiring connectivities to IP Controllers.

### KEY FEATURES

- Suite of highly secure control panels to support enterprise applications
- Configurable from 1 Door to Multiple Doors
- Built on 32 Bit ARM Architecture with high processing speed
- SD Card for Complete system back up including settings & Transaction
- Built in high speed memory for data storage
- On Board High speed Ethernet connectivity
- Hardware & Software Watchdog Timer
- On Board High & Reverse Voltage Protection
- Can be interfaced with any Wiegand reader - Non Proprietary & Multi- Reader Support
- Supports any biometric systems like Palm Reader, Finger Print Reader etc.
- Large User & Transaction Storage Capacity
- Built in features like Multi Facility Codes, Anti Pass Back, Emergency Support
- Complete Realtime

# SYSTEM ARCHITECTURE



**EINS 2 - Configured on 2 Doors in IN / IN Mode**

**EINS 2 - Configured on 1 Door in IN & OUT Mode**

# SPECIFICATIONS

<b>OPERATIONAL</b>	CARD HOLDER CAPACITY	20,000 Users Expandable upto 40,000
	TRANSACTION STORAGE CAPACITY	90,000 Transactions
	NO OF TIME ZONES	64
	NO OF SHIFTS	255
	FACILITY CODES	Multi facility codes upto 255
	ANTI PASSBACK	Local
	MODES OF OPERATION	One Door (In/Out) Two Door (In/In)
<b>POWER</b>	INPUT POWER	Minimum: 12VDC @ 2.5A from SMPS Maximum: 15V from SMPS
	BATTERY	12V Sealed Lead Acid Battery
<b>ENVIRONMENT</b>	OPERATING ENVIRONMENT	Indoor
	OPERATING TEMPERATURE	0 - 55° C
	OPERATING HUMIDITY	0 - 85%

<b>HARDWARE</b>	READERS	26 bit Wiegand Reader 32 bit Wiegand Reader
	MEMORY CARD	4GB SD CARD Expandable upto 8GB
	CONNECTIVITY	TCP/IP 10/100 Ethernet
	GENERAL INPUTS	One for each door
	GENERAL OUTPUTS	One for each door
	INPUT SUPPORTED	Door sensors, Fire alarm, MCP, Egress Switch
<b>WARRANTY</b>	SUPPORTING READERS	Wiegand Readers, Palm Reader, Fingerprint Reader
		1 Year



+ 91 887 9977 600 | [info@eins.co.in](mailto:info@eins.co.in) | [eins-india](https://www.eins-india.com)

[www.eins.co.in](http://www.eins.co.in)



Product Offering & Specifications are subject to change without notice. Actual Product may vary from photos. Not all products include all features. Product Names mentioned herein are the registered property of EINS. Copyrights 2018, All Rights Reserved.