

smartXS NG *plus*

The Premium 2 Door 2 Reader POE Based Access Controller
Model No: SMNG220-POE



smartXS NG *plus* is a premium category 2 Door 2 Reader POE based Access Controller, as fast and as efficient in all functions as the best in the market in this category. Better in fact, in some ways.

KEY BENEFITS

- **The Processor:-** Its 32 bit processor makes smartXS NG *plus* a much faster and more efficient controller in all its functions at par with the other controllers in the premium category. Much more cost effective too.
- **Featuring POE + Ethernet Connectivity:-** The SMNG-220-POE Powers, Panel, Readers (2 Nos) and EML Lock (2 Nos), via Single CAT5e/6 - No need of local power point.
- With the distributed architecture cabling cost will be drastically reduced (by placing controller above the door)
- ***MODBUS:-** smartXS NG *plus* has MODBUS connectivity option for integration with third party BMS (Building Management System).
- **CCTV/IP Camera Integration with Access Events:-** Alarm Management Software module for security audit or to verify/identify tailgating, made effective by alerts based network protocol implemented in smartXS NG *plus*.
- **Door Interlocking -** smartXS NG *plus* has inbuilt configurable door interlocking facility for clean environment so vital in sectors such as pharma, datacenter, etc.
- **SNMP Alerts:-** SNMP alerts for integration with IT System Administration Software for monitoring critical events ie; Door left open, unauthorized access attempt, Power Fail and Battery Low Alerts, etc.
- **Inbuilt Web Server –** smartXS NG *plus* can be managed remotely through inbuilt web Server using any web browser.

Many highly prestigious organizations from many sectors such as Banking, Pharma, IT, Mega Retail, Government etc. have been using various Access Control, Time and Attendance and Security related systems of smart-i in many of their establishments all over India, for many years.

Other Benefits

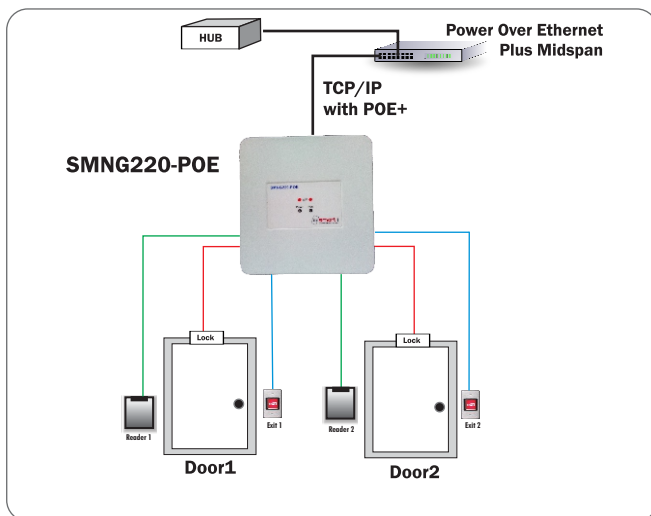
Security Feature

- Anti Pass Back
- Time Based Anti Pass Back
- Time Zone, Access level
- Duress Card / Finger
- Dual Card / Finger
- Data downloading to Authorised Computer
- Dead man zone
- Do not disturb
- First in user
- Special cards
 - Escort card to release Anti Pass Back
 - Intrusion Card
 - Emergency Card
- Keypad Disable to avoid unauthorized access

Utility Feature

- Online firmware upgradation
- Reader tamper detection
- Inbuilt keypad & display for easy installation & maintenance
- Software & Hardware designed in-house makes it more suitable for Indian requirements.

Connection Diagram



* Optional

Technical Specifications

Particulars	Specifications
Model no.	SMNG220-POE
Applications	Access Control System
Technical Specification	
CPU	ARM 32 Bit RISC Processor
Memory	4 GB SD ; Upto 8 MB Flash
No. of Doors	2
No. of Readers	2 (For card reader inbuilt power supply from SMNG220-POE ; For biometric reader extra power supply 12 V DC/1A Adaptor will be required)
Events/Transactions	Upto 2,50,000
Users	Upto 1,00,000
Web Server	Yes
Door Interlocking/Man Trap	Yes
Global APB	Yes
SNMP Alerts	Yes
*MODBUS Protocol Support	Yes
AC Fail/Low Battery Alert	Yes
Reader Interface	Weigand (Up to 34 bit)
Input	6 inputs (2- Door Status, 2- Egress, 1- Fire & 1- intrusion)
Output	4 outputs (2 - DOTL, 2 - Lock*) (Note*: Both POE & Non POE locks can be supported subject to power supply specifications)
Communications Port	TCP/IP
Power Supply	POE+ 802.3at compliant midspan 30w per port OR 12 V DC/5A Adaptor
Protocol	TCP, UDP, TCP Push, UDP Push, SNMP, *Modbus
Fire Integration	Yes
Intrusion Integration	Yes
LCD	16X2 LCD Mono Color Display
Keypad	4X3 Key with soft keypad
Baud Rate	9600bps (Default)
Controller ID	Upto 10000
Language	English
Enclosure	Metal Enclosure
Mounting	Wall mounting
Dimension (L x H x W)	180 x 185 x 55 (in mm)
Access Control Features	
Facility Code	Available
Time Zone / Access Levels	63 + 1 (Free Time Zone)/Unlimited
Time Zone Slots	4 slots per Day
Anti-Passback	Hard, Soft, Escort (Reader Wise)
Holiday Settings	42
Ordering Information	
Controller	SMNG220-POE
Software	"smartACCESS" / "smartCOMMANDCONTROL"
Accessories	Any Standard Wiegand Reader; Card Reader - SC504/SPR501 (No extra power supply is required) Biometrics Reader - SBSNG1950 Series (Extra power supply 12 V DC/1A is required) Egress Switch ; Lock

* smart-i Policy is one of constant improvement. We reserve the rights to alter specifications without any prior notice.